

ALUMINUM FULL VIEW ASTRAGAL MODIFICATION

Supplemental Insert

P.O. Box 67 Mt. Hope, OH 44660

©Copyright 2016 Wayne Dalton, a division Of Overhead Door Corporation Part No. 339417 REV3 05/03/2016

This supplemental insert is to be used in conjunction with the main installation instructions and owner's manual.

This page is for Aluminum Full View Model Doors Only!

www.Wayne-Dalton.com

Tools Needed:

Utility Knife
Gloves
Safety Glasses
Pencil
Tape Measure

Prior to installing the bottom corner brackets onto the bottom section, slit the bottom weather seal at both ends to allow the bottom corner brackets to be adhered to the bottom section unobstructed by the bottom weather seal.

IMPORTANT! DO NOT INSTALL BOTTOM CORNER BRACKETS OVER THE BOTTOM WEATHER SEAL.

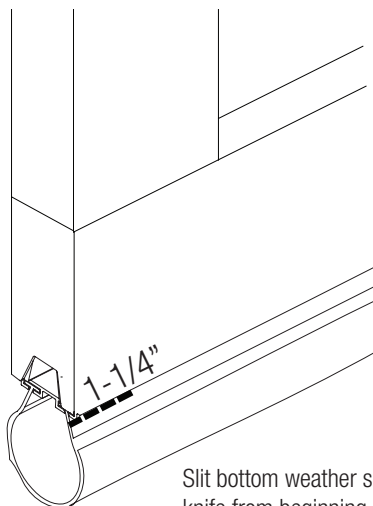
⚠ WARNING

IT IS RECOMMENDED THAT GLOVES BE WORN WHILE HANDLING UTILITY KNIFE AND WORKING AROUND EXPOSED SHARP METAL EDGES. FAILURE TO WEAR GLOVES COULD RESULT IN SERIOUS INJURY.

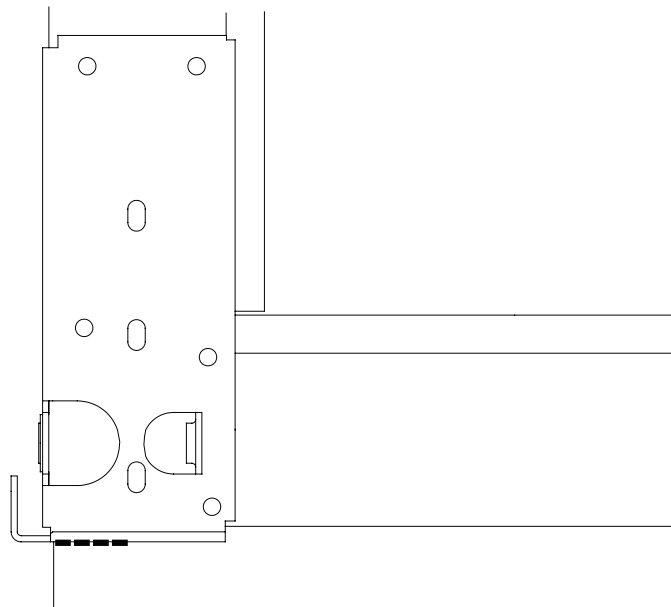
Using a utility knife, slit the bottom weather seal 1-1/4" along the edge where it contacts the bottom section.

Repeat for other side.

For instructions on how to install bottom corner brackets, see Main Installation Instructions and Owner's Manual.



Slit bottom weather seal using a utility knife from beginning of astragal 1-1/4" inward.



The bottom corner bracket should now be able to adhere to section unobstructed by the bottom weather seal. For instructions on how to install the bottom corner bracket, see Main Installation Instructions and Owner's Manual.

ASTRAGAL MODIFICATION FOR MODELS: 8000/8100/8200

Supplemental Insert

This supplemental insert is to be used in conjunction with the main installation instructions and owner's manual.
This page is only for Model Doors listed above!

www.Wayne-Dalton.com

Tools Needed:

Utility Knife
Gloves
Safety Glasses
Pencil
Tape Measure

Prior to installing the bottom corner brackets onto the bottom section, slit the bottom weather seal at both ends to allow the bottom corner brackets to be adhered to the bottom section unobstructed by the bottom weather seal.

IMPORTANT! DO NOT INSTALL BOTTOM CORNER BRACKETS OVER THE BOTTOM WEATHER SEAL.

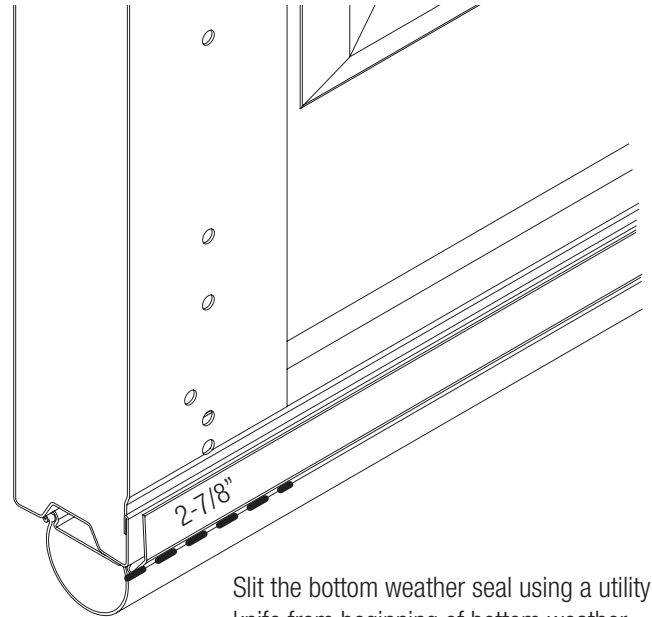
⚠ WARNING

IT IS RECOMMENDED THAT GLOVES BE WORN WHILE HANDLING UTILITY KNIFE AND WORKING AROUND EXPOSED SHARP METAL EDGES. FAILURE TO WEAR GLOVES COULD RESULT IN SERIOUS INJURY.

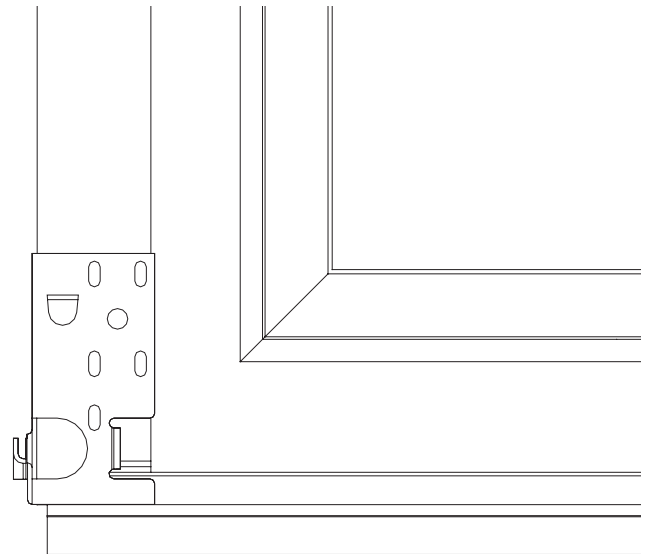
Using a utility knife, slit the bottom weather seal 2-7/8" along the edge where it contacts the bottom section.

Repeat for other side.

For instructions on how to install bottom corner brackets, see Main Installation Instructions and Owner's Manual.



Slit the bottom weather seal using a utility knife from beginning of bottom weather seal 2-7/8" inward.



The bottom corner bracket should now be able to adhere to bottom section unobstructed by the bottom weather seal. For instructions on how to install the bottom corner bracket Main Installation Instructions and Owner's Manual.